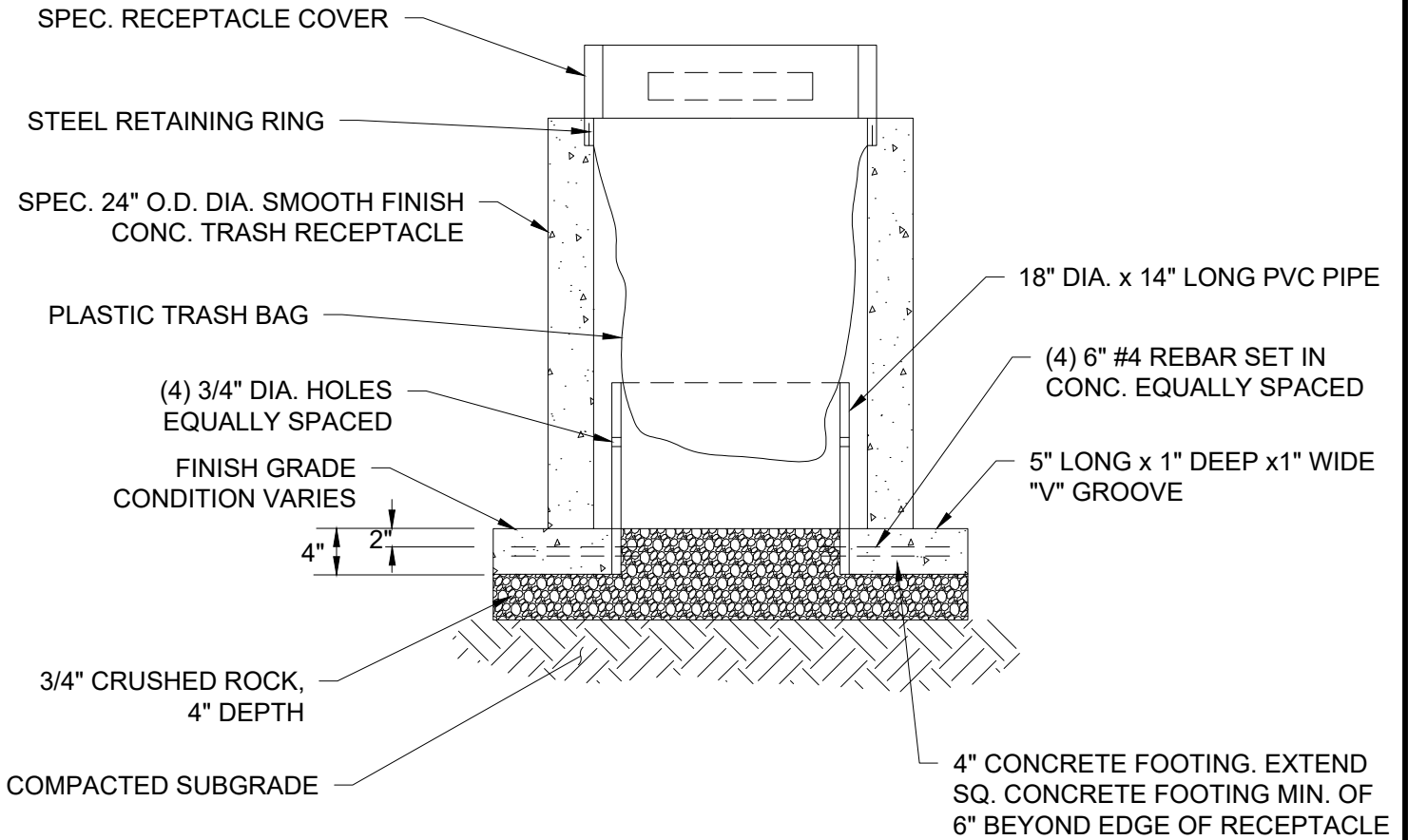


FILENAME: y:\inter-departmental\development engineering projects\public works standards\2.0 pws revision copy\details\700_parks\701.dwg, Plotted 10/23/2023 11:14 AM, By: Kimberly Bogert, ANSI FULL BLEED A (8.50 X 11.00 INCHES)



CITY OF GRESHAM

TRASH RECEPTACLE

PWS VERSION: JAN 2024

DRAWN	KRB
REV. DATE	JAN 2024
APPR.	
DETAIL NO.	701