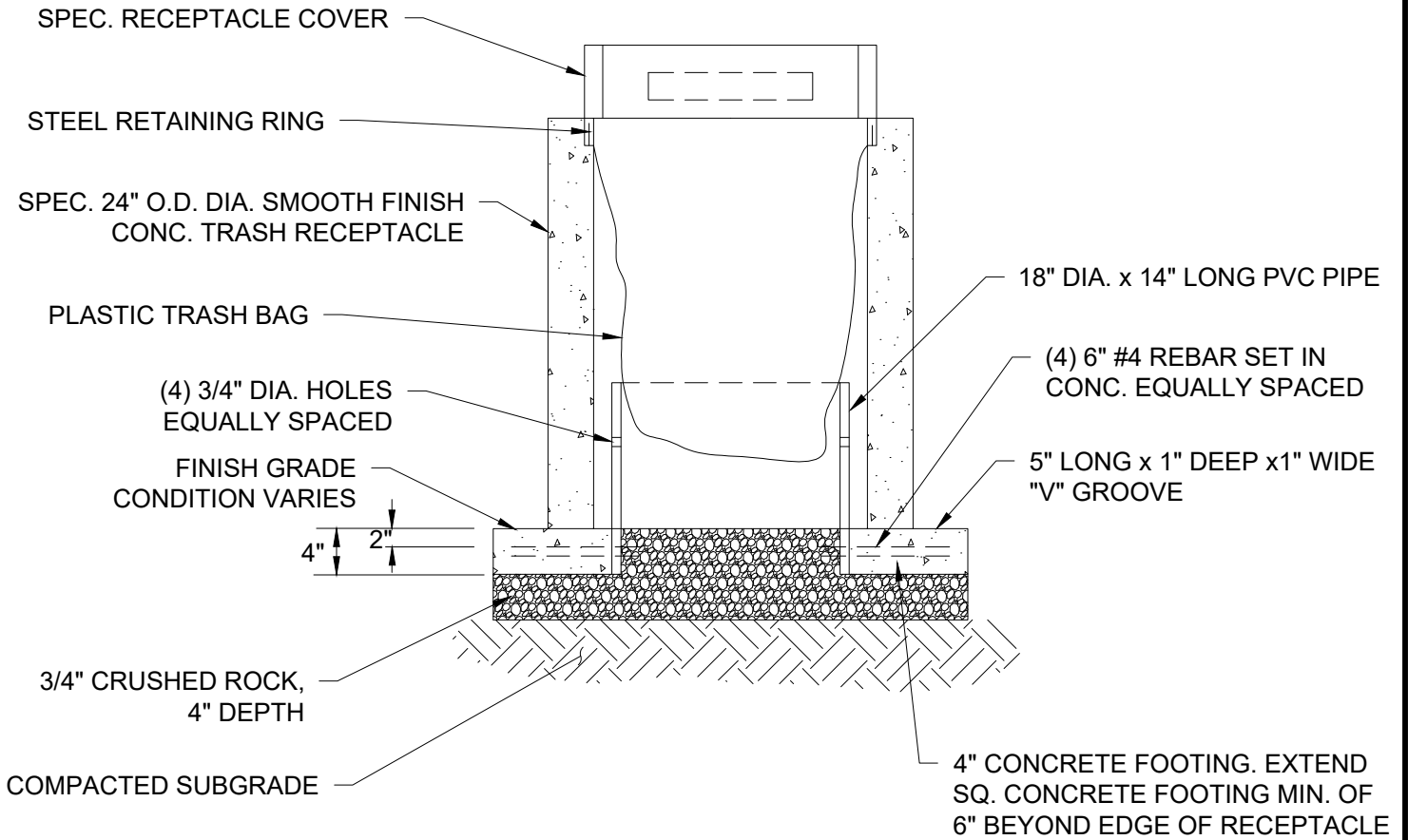


FILENAME: y:\inter-departmental\development engineering projects\public works standards\2.0 pws revision copy\details\cad - all\700_parks\701.dwg, Plotted 4/20/2026 11:22 AM, By: Anthony Dollowitch, ANSI FULL BLEED A (8.50 X 11.00 INCHES)



CITY OF
GRESHAM

TRASH RECEPTACLE

PWS VERSION: JULY 2026

DRAWN KRB

REV. DATE JAN 2024

APPR.

DETAIL NO. 701